

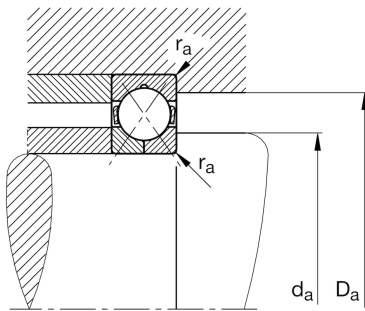
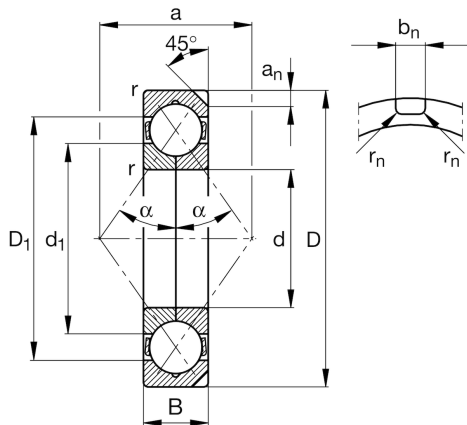
FAG

**QJ1256-N2-MPA-C3**

Four-point contact bearing

Schaeffler ID:  
0543081600030Four point contact bearing QJ12...N2-  
MPA, holding grooves, solid brass cage

## Technical information



## Main Dimensions &amp; Performance Data

|                 |             |                                   |
|-----------------|-------------|-----------------------------------|
| d               | 280 mm      | Bore diameter                     |
| D               | 500 mm      | Outside diameter                  |
| B               | 90 mm       | Width                             |
| C <sub>r</sub>  | 790.000 N   | Basic dynamic load rating, radial |
| C <sub>0r</sub> | 1.600.000 N | Basic static load rating, radial  |
| C <sub>ur</sub> | 45.500 N    | Fatigue load limit, radial        |
| n <sub>G</sub>  | 2.240 1/min | Limiting speed                    |
| n <sub>gr</sub> | 1.110 1/min | Reference speed                   |
|                 | 81,8 kg     | Weight                            |

## Dimensions

|                  |           |   |
|------------------|-----------|---|
| r <sub>min</sub> | 5 mm      | Minimum chamfer dimension                         |
| D <sub>1</sub>   | 420,8 mm  | Shoulder diameter outer ring                      |
| d <sub>1</sub>   | 362,45 mm | Shoulder diameter inner ring                      |
| a                | 780 mm    | Distance between the apexes of the pressure cones |
| a <sub>n</sub>   | 15 mm     | Height retaining slot                             |
| b <sub>n</sub>   | 12,5 mm   | Width retaining slot                              |
| r <sub>n</sub>   | 2,5 mm    | Radius retaining slot                             |
|                  | 45 °      | Angle retaining slot                              |
| α                | 45 °      | Contact angle                                     |

## Mounting dimensions

|                    |        |                                      |
|--------------------|--------|--------------------------------------|
| d <sub>a min</sub> | 300 mm | Minimum diameter shaft shoulder      |
| D <sub>a max</sub> | 480 mm | Maximum diameter of housing shoulder |
| r <sub>a max</sub> | 4 mm   | Maximum fillet radius                |

## Temperature range

|                  |        |                            |
|------------------|--------|----------------------------|
| T <sub>min</sub> | -30 °C | Operating temperature min. |
| T <sub>max</sub> | 200 °C | Operating temperature max. |